
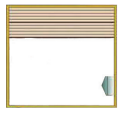
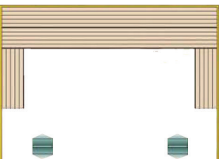


FG - Sauna Room

FR - Far Infrared Room

Far infrared sauna used infrared light as heat energy that penetrates tissues , triggering mobilization of chemicals from fat storage , directly into perspiration . It is one of the most efficacious ways of eliminating stored toxins ,increasing overall health and a strong immune system

Kodu Code	Electric Power Supply			Power kW	Dimensions ( cm )		
	V	Hz	A		L	W	H
FR - 1212G	110~120	60	9	1	120	120	215
FR - 1212L	220~240	50/60	4.5				
FR - 1515G	110~120	60	11.9	1.3	150	150	215
FR - 1515L	220~240	50/60	9.5				
FR - 2015G	110~120	60	18.1	2	200	150	215
FR - 2015L	220~240	50/60	9.1				

 Model:FG-1212 FR-1212 FD-1212 Size:120x120x208cm	 Model:FG-1512 Size: 150x120x208cm	 Model:FG-1515 FR-1515 FD-1515 Size: 150x150x208cm	 Model:FG-2015 FR-2015 FD-2015 Size:200x150x208cm
 Model:FG-2020 FR-2020 FD-2020 Size:200x200x208cm	 Model:FG-2025 FR-2025 FD-2025 Size:200x250x208cm	 Model: FG-2525 FR-2525 FD-2525 Size:250x250x208cm	 Model:FG-3025 FR-3025 FD-3025 Size:300x250x208cm
 Model:FG-3030 Size:300x300x208cm	 Model:FG-3530 Size:350x300x208cm	 Model:FG-4035 Size:400x350x208cm	

FD = FG + FR



Model: FG-1212



Model: FG-1515



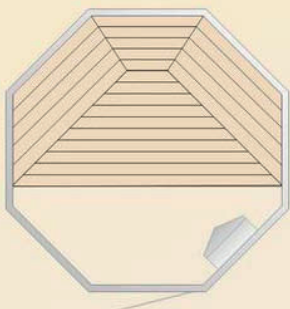
Model: FG-2020



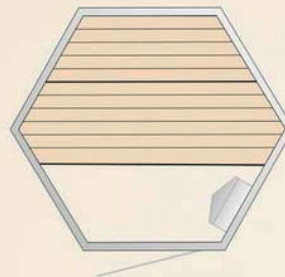
Model: FG-2525



Model: FG-3025



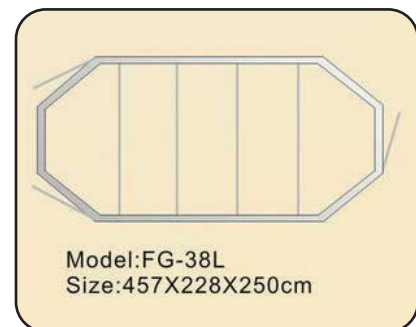
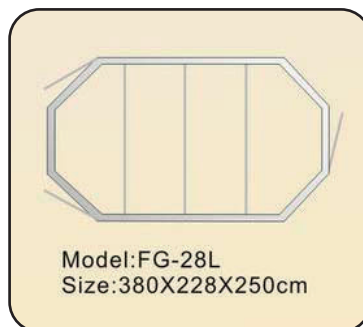
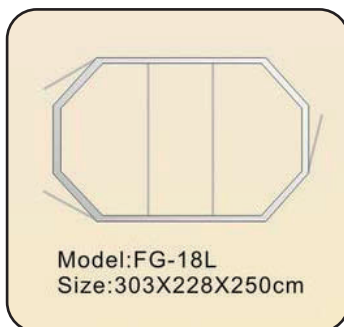
Model:FG-08L  
Size:228x228x250cm



Model:FG-06L  
Size:200x200x250cm



Outdoor Combination Rooms can be custom made to customer requirements, into different combined styles.

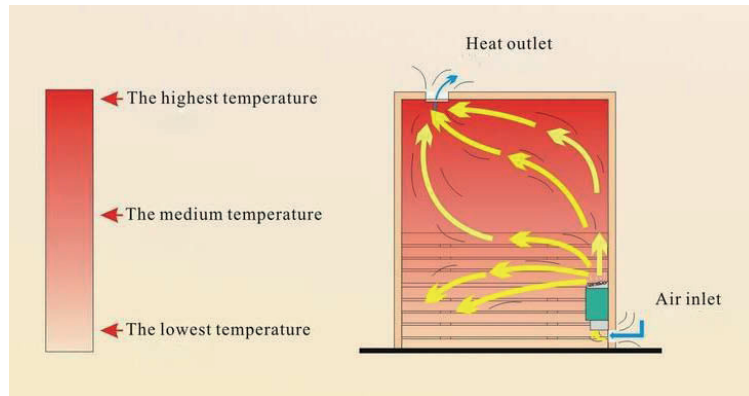




## TECHNICAL SPECIFICATIONS



Ventilation is a necessary condition for correct sauna operation.



Kodu Code	Electric Power Supply			Power kW	Room Volume (m <sup>3</sup> )		Dimensions (cm)		
	V	Hz	A		min. m <sup>3</sup>	max. m <sup>3</sup>	L	W	CM
SS-3/01	120~110	60	19.1	2.1	2	4	32	20	45
	240~220	60/50	13.6	3					
SS-4.5/02	416~380	60/50	20.5	4.5	2.5	6	45	33	50
SS-6/02	416~380	60/50	27.3	6	4	8	45	33	50
SS-8/02	416~380	60/50	36.4	8	6	12	45	33	50



In-built LCD Control  
Adjustable time (60-0 minutes) and  
temperature (90-°70°C).  
Generally for home use.



In-built LCD Control  
(FR Series Infrared Room)  
Adjustable time (60-1 minutes) and  
temperature (90-°70°C).  
Generally for home use.



In-built LCD Control  
Adjustable time (60-0 minutes) and  
temperature (90-°70°C).  
With MP3 music function.  
Generally for home use.

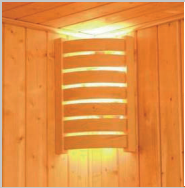


In-built LCD Control  
(FR Series Infrared Room)  
Adjustable time (60-1 minutes) and  
temperature (90-°70°C).  
With MP3 music function.  
Generally for home use.



External Digital Control  
Adjustable time (12-0 hours)  
and temperature (90-°70°C).  
Generally for commercial  
sauna rooms.





Lampshade, colour matched to sauna room finish



Wooden bucket



Wooden pillow



Wooden ladle



Wooden ventilator sliding grate



Sauna stones, producing mineral steam with water



Door handle, colour matched to room finish



Wooden frame for protecting sauna heat generator



Metal finish door handle



Sand timer



Wall / ceiling speaker



Thermometer and Hygroscope combination unit



Colour light, changes colour automatically



Quartz lamp for steam room lighting

